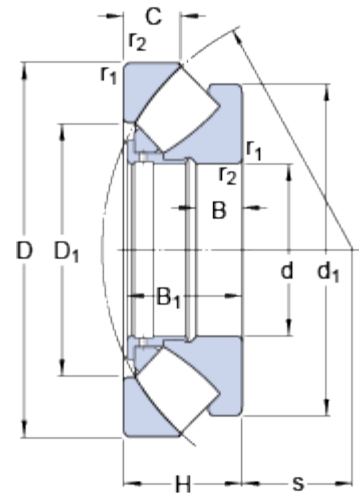




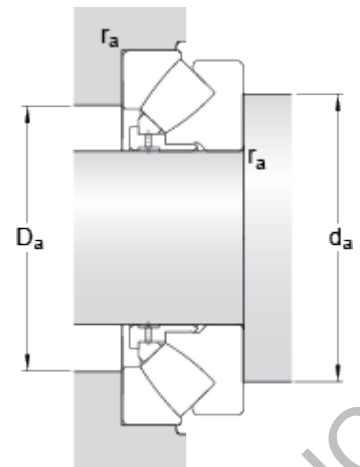
# 294/630 EM

## Dimensions



d	630	mm
D	1090	mm
H	280	mm
d <sub>1</sub>	≈ 995	mm
D <sub>1</sub>	≈ 815	mm
B	107	mm
B <sub>1</sub>	270	mm
C	137	mm
s	365	mm
r <sub>1,2</sub>	min. 12	mm

## Abutment dimensions



d <sub>a</sub>	min. 860	mm
D <sub>a</sub>	max. 950	mm
r <sub>a</sub>	max. 10	mm

## Calculation data

Basic dynamic load rating	C	14400	kN
Basic static load rating	C <sub>0</sub>	62000	kN
Fatigue load limit	P <sub>u</sub>	4150	kN
Reference speed		260	r/min
Limiting speed		500	r/min
Minimum axial load factor	A	370	

## Mass

Mass bearing		1040	kg
--------------	--	------	----